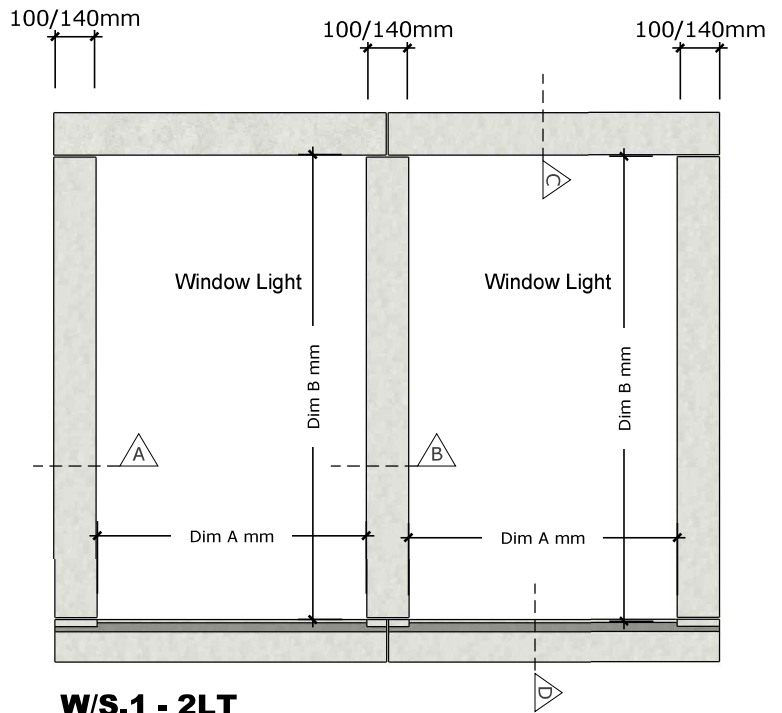
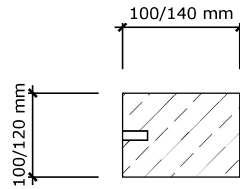
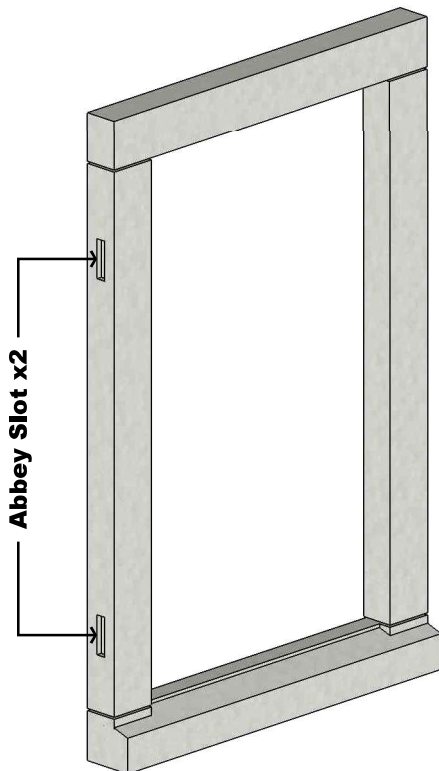


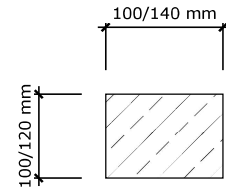
W/S.1 - 1LT



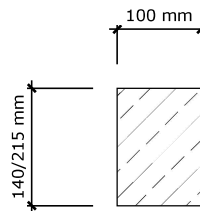
W/S.1 - 2LT



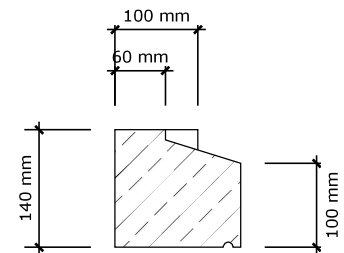
Section A-A



Section B-B



Section C-C



Section D-D

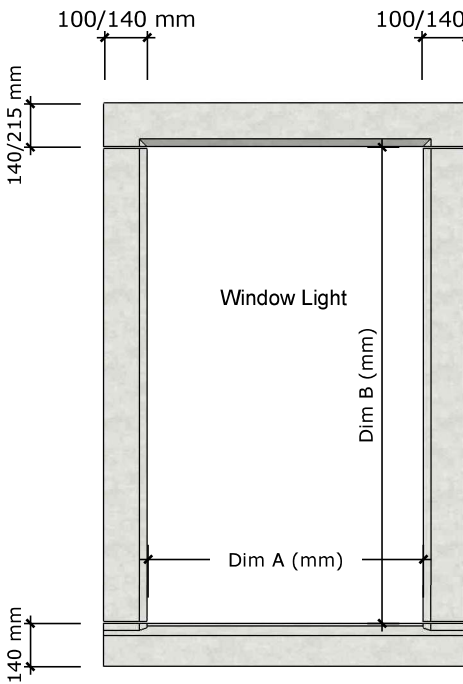
**Window surrounds to be manufactured to suit
 Order code: W/S1 (1,2,3,4 +) LT + Dim A + Dim B**

All surrounds supplied with stainless steel abbey ties and dowels

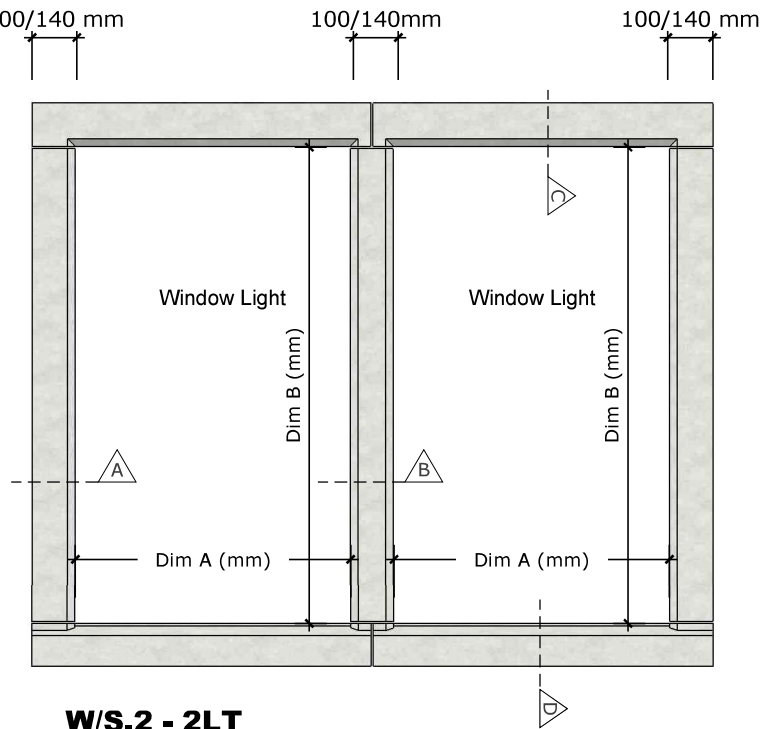
Please note heads are non load bearing

Bespoke Surrounds can be made on request

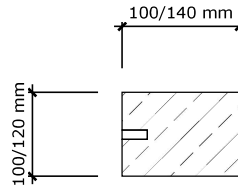
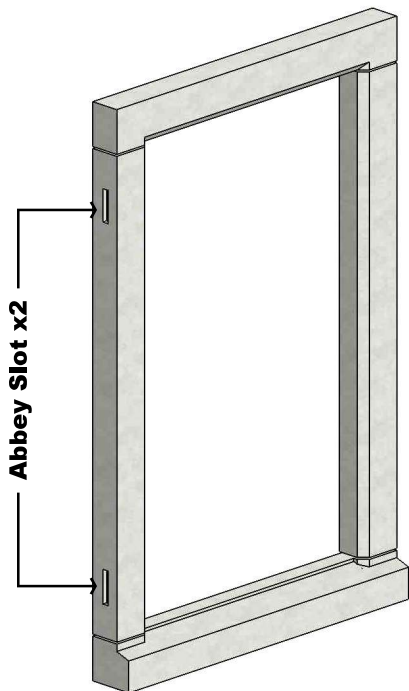
TITLE: SURROUND REF.1



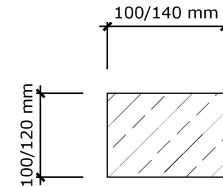
W/S.2 - 1LT



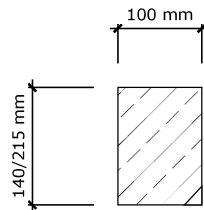
W/S.2 - 2LT



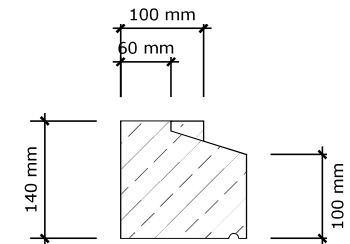
Section A-A



Section B-B



Section C-C



Section D-D

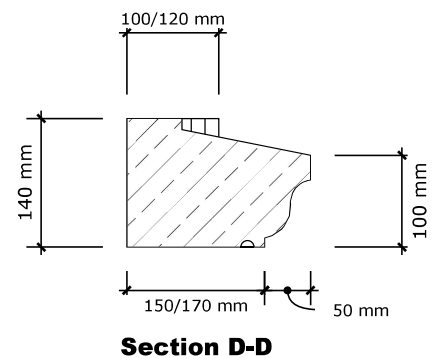
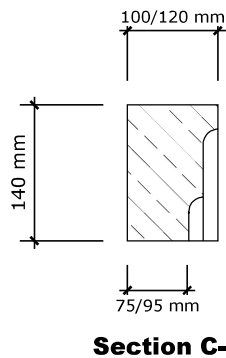
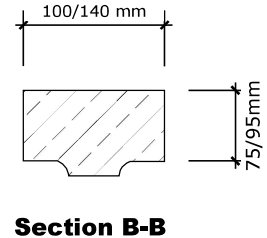
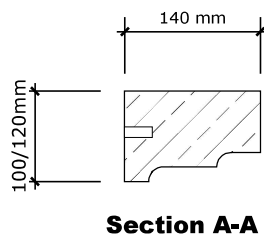
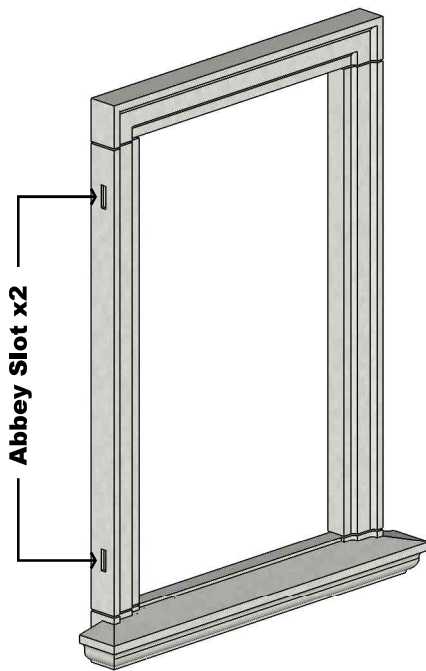
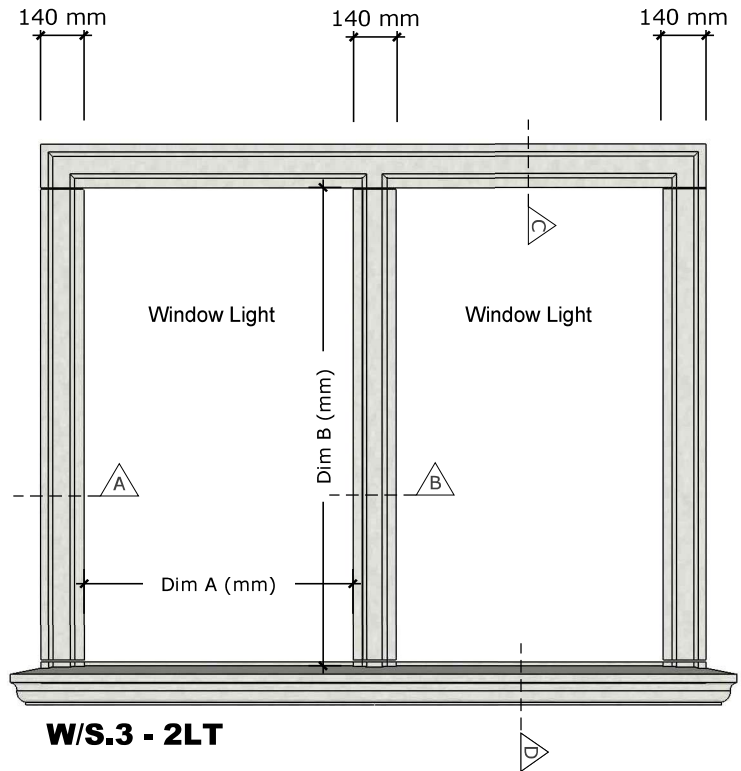
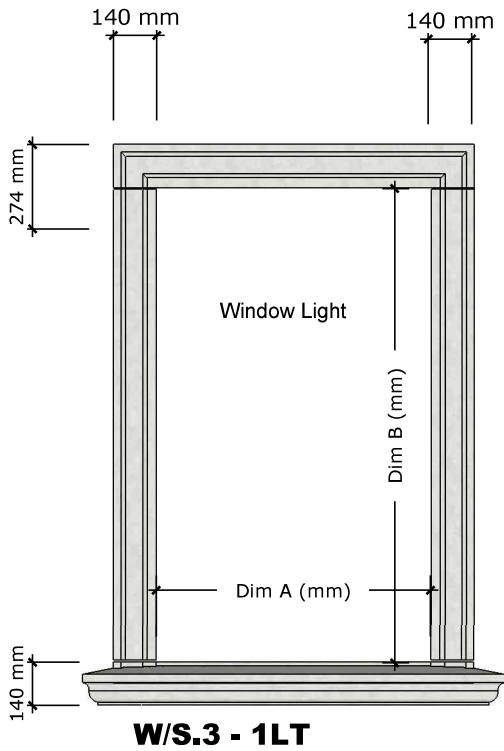
Window surrounds to be manufactured to suit
Order code: W/S1 (1,2,3,4 +) LT + Dim A + Dim B

All surrounds supplied with stainless steel abbey ties and dowels

Please note heads are non load bearing

Bespoke Surrounds can be made on request

TITLE: SURROUND REF.2



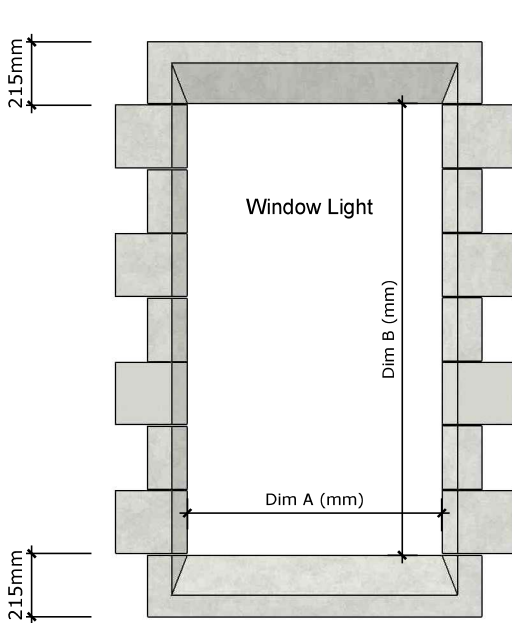
**Window surrounds to be manufactured to suit
 Order code: W/S1 (1,2,3,4 +) LT + Dim A + Dim B**

All surrounds supplied with stainless steel abbey ties and dowels

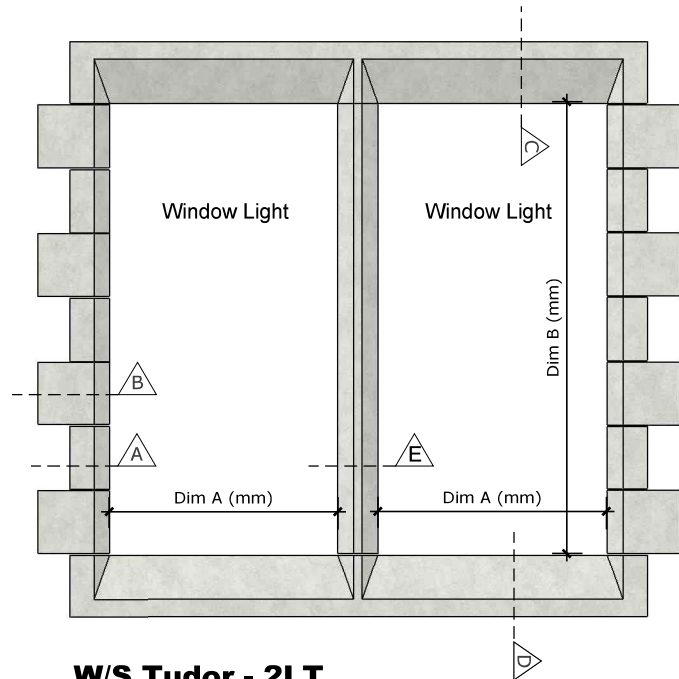
Please note heads are non load bearing

Bespoke Surrounds can be made on request

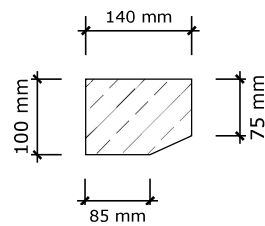
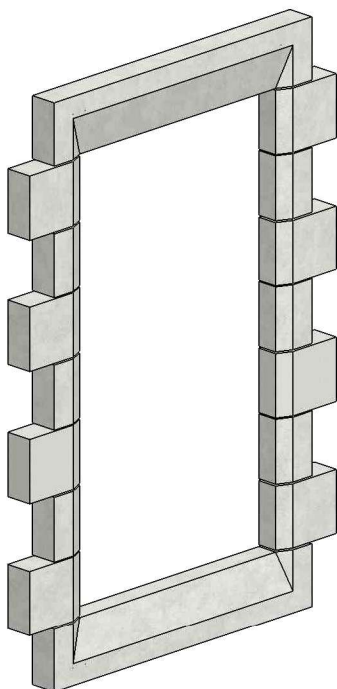
TITLE: SURROUND REF.3



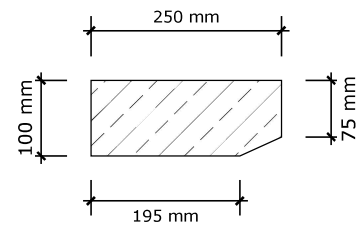
W/S.Tudor - 1LT



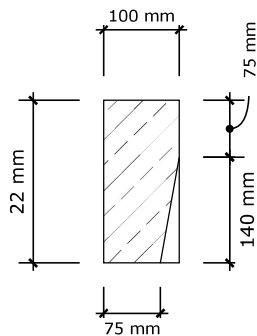
W/S.Tudor - 2LT



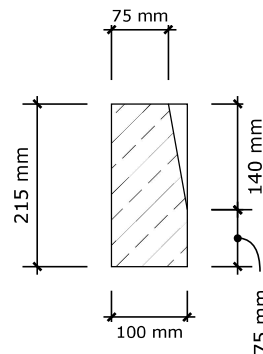
Section A-A



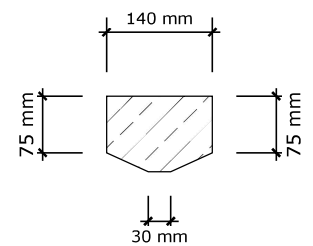
Section B-B



Section C-C



Section D-D



Section E-E

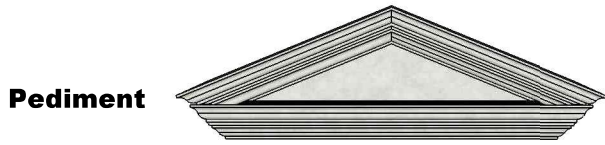
Window surrounds to be manufactured to suit
Order code: W/S1 (1,2,3,4 +) LT + Dim A + Dim B

All surrounds supplied with stainless steel abbey ties and dowels

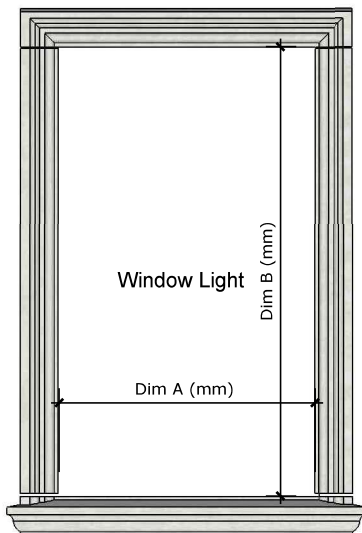
Please note heads are non load bearing

Bespoke Surrounds can be made on request

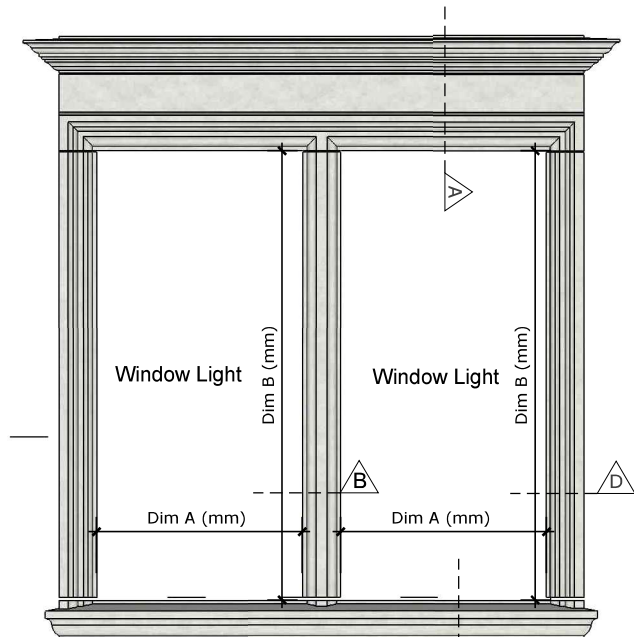
TITLE: SURROUND REF. TUDOR



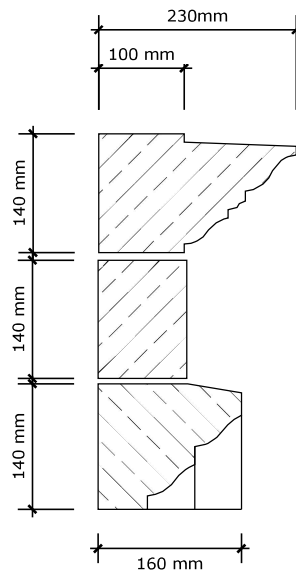
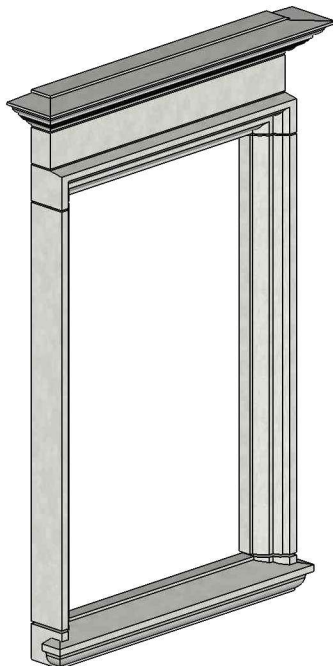
If required please add extra head, cornice and coping as necessary



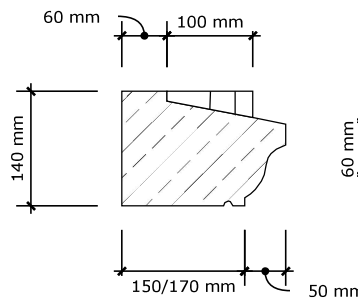
W/S.Regency - 1LT



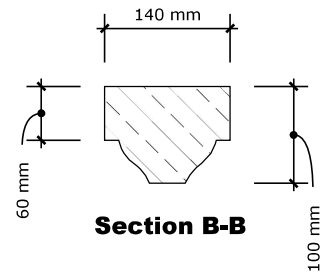
W/S Regency. - 2LT



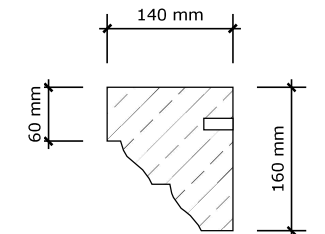
Section A-A



Section C-C



Section B-B



Section D-D

Window surrounds to be manufactured to suit
 Order code: W/S.Regency (1,2,3,4 +) LT + Dim A + Dim B

All surrounds supplied with stainless steel abbey ties and dowels

Please note heads are non load bearing

Bespoke Surrounds can be made on request

TITLE: SURROUND REF. REGENCY