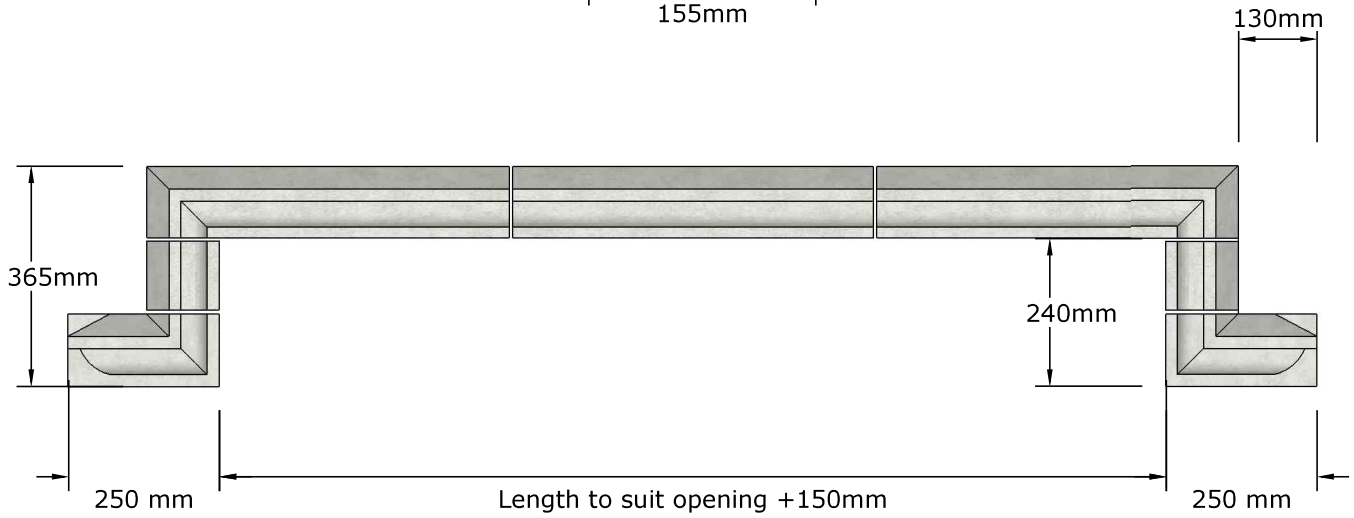
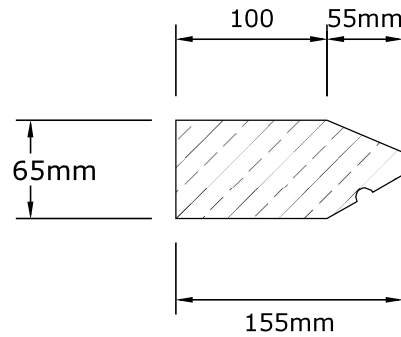
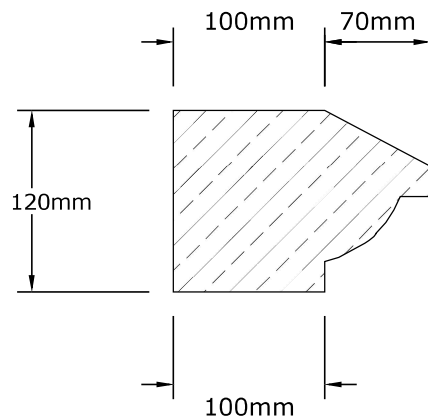


LM1 (19kg/m)



LM2 (35kg/m)



TITLE: Label Mould