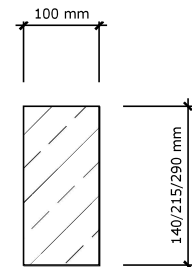
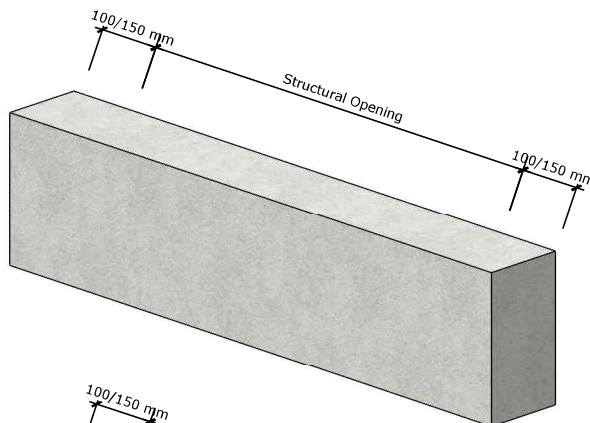
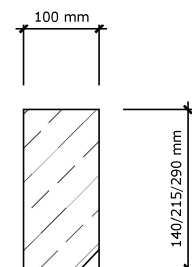
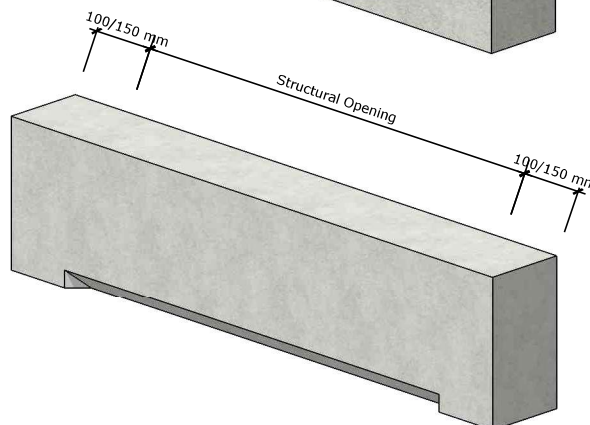


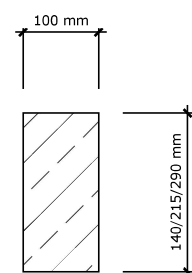
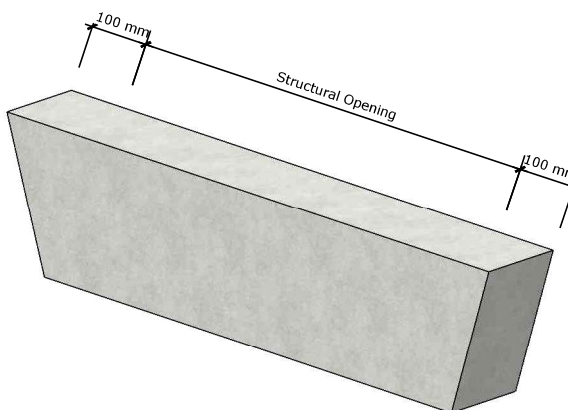
**Head TYPE.1**  
**MAX LENGTH 1500mm**  
**kg /m**



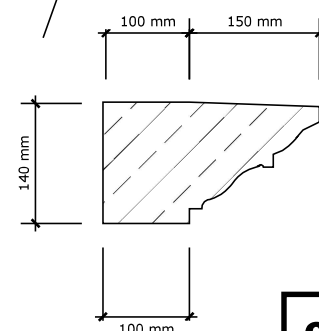
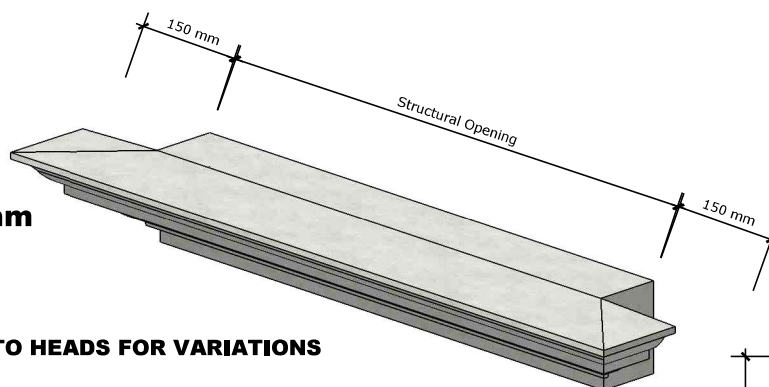
**Head TYPE.2**  
**MAX LENGTH 1500mm**  
**kg /m**



**Head TYPE.3**  
**MAX LENGTH 1500mm**  
**kg /m**



**REGENCY TYPE**  
**MAX LENGTH 1500mm**  
**kg /m**

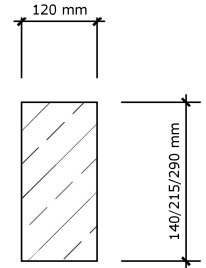
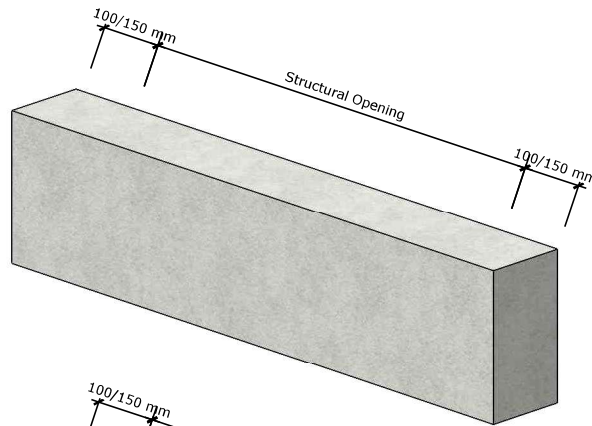


**KEYSTONES CAN BE ADDED TO HEADS FOR VARIATIONS**  
**PLEASE SEE PAGE 9**

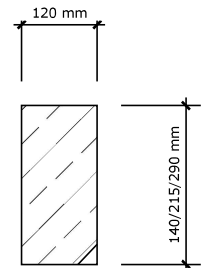
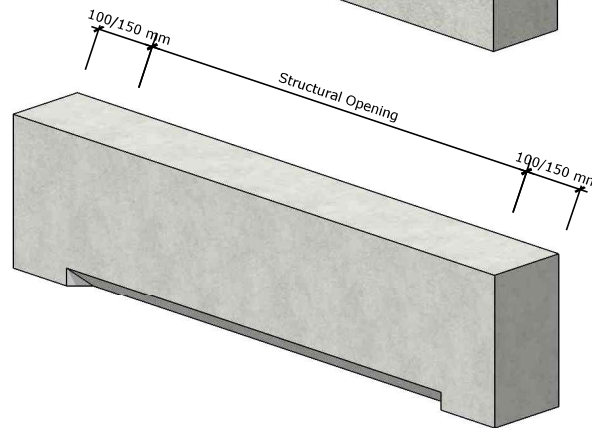
**ALL HEADS CAN BE MADE TO SUIT ANY OPENING SIZE**

**TITLE: HEADS TO SUIT BRICKWORK**

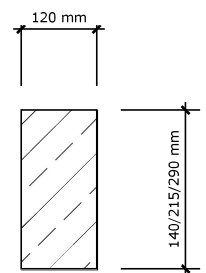
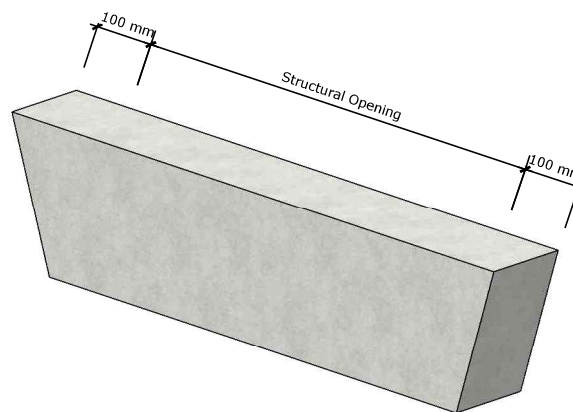
**Head TYPE.1**  
**MAX LENGTH 1500mm**



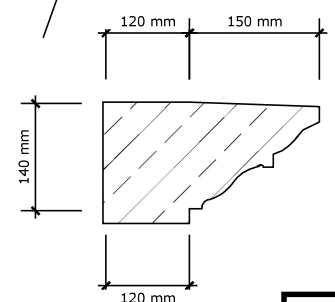
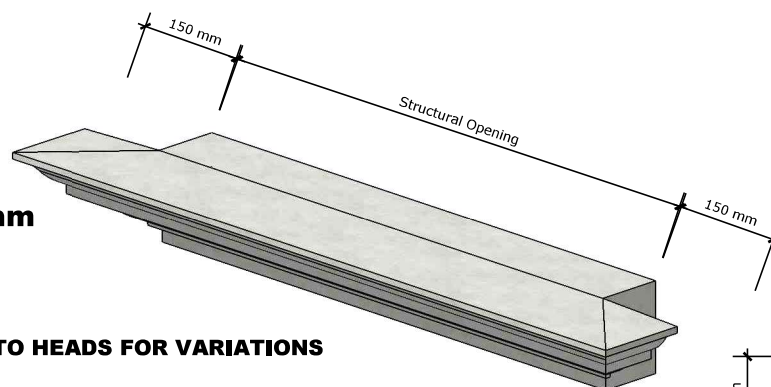
**Head TYPE.2**  
**MAX LENGTH 1500mm**



**Head TYPE.3**  
**MAX LENGTH 1500mm**



**REGENCY TYPE**  
**MAX LENGTH 1500mm**

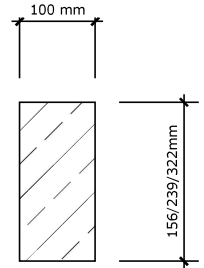
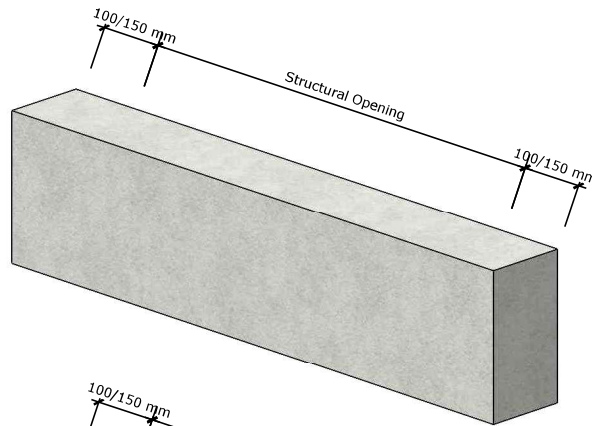


**KEYSTONES CAN BE ADDED TO HEADS FOR VARIATIONS**  
**PLEASE SEE PAGE 9**

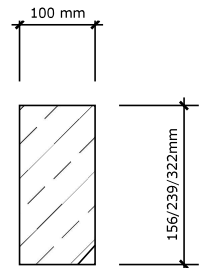
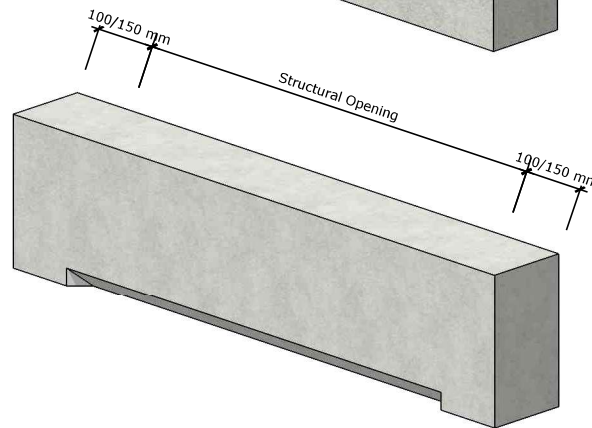
**ALL HEADS CAN BE MADE TO SUIT ANY OPENING SIZE**

**TITLE: HEADS TO SUIT RENDER**

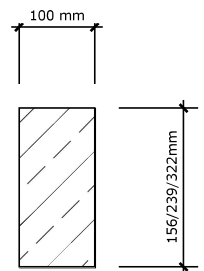
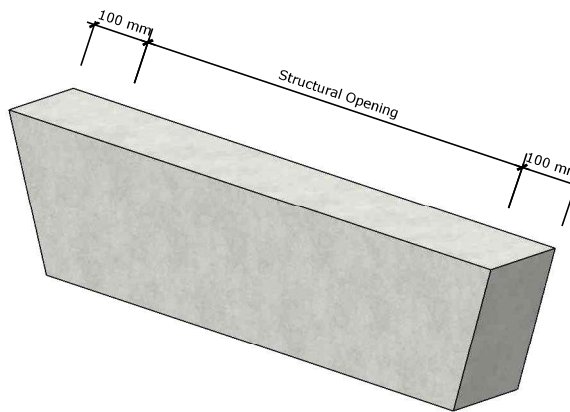
**Head TYPE.1-IMP**  
**MAX LENGTH 1500mm**



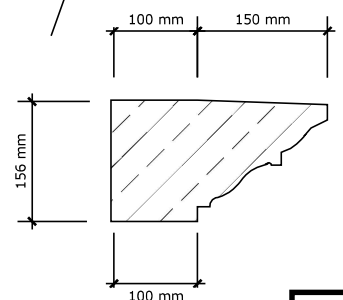
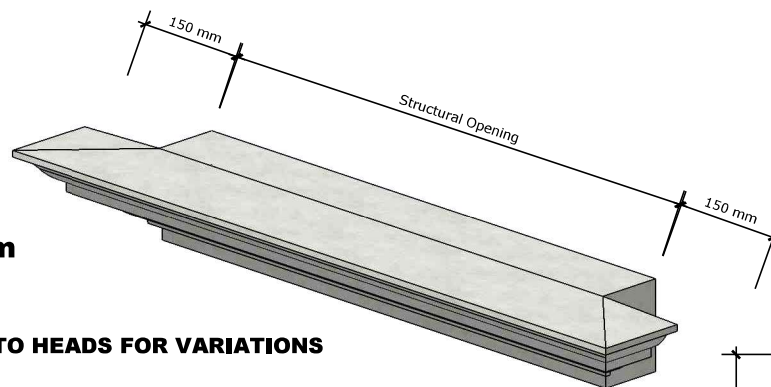
**Head TYPE.2-IMP**  
**MAX LENGTH 1500mm**



**Head TYPE.3-IMP**  
**MAX LENGTH 1500mm**



**REGENCY TYPE-IMP**  
**MAX LENGTH 1500mm**



**KEYSTONES CAN BE ADDED TO HEADS FOR VARIATIONS  
 PLEASE SEE PAGE 9**

**ALL HEADS CAN BE MADE TO SUIT ANY OPENING SIZE**

**TITLE: HEADS TO SUIT BRICKWORK**